

## Eco Preparation 2000 mm Worktop Cupboard with Upstand

ITEM # \_\_\_\_\_

MODEL # \_\_\_\_\_

NAME # \_\_\_\_\_

SIS # \_\_\_\_\_

AIA # \_\_\_\_\_


**132867 (MS2017N)**

 WorkTop Cupboard, with  
 100mm upstand, 2000mm

### Short Form Specification

**Item No.** \_\_\_\_\_

Made entirely from stainless steel. Inner welded frame in stainless steel. Unique connection of panels to inner frame. Worktop in 304 AISI stainless steel (50mm high) incorporates a layer of sound deadening material and has upturned edges. Upstand (h=100m

### Main Features

- Ideal for central positioning in the kitchen, either as island installation or back to back.
- Worktop cupboard can be mounted on 125 mm diameter castors (2 with brakes) using the optional accessory kit.
- Handles in stainless steel for better hygiene and reliability.
- Sturdiness, stability and reliability of table accurately tested.
- 100 mm upstand with 13mm depth and 10 mm radiused corner, designed to be used against a wall.

### Construction

- 40 mm worktop in 304 AISI stainless steel.
- Inner welded frame in stainless steel to guarantee superior strength and stability.
- Handles directly built into the sliding doors.
- Equipped with intermediate shelf which can be positioned at three different heights.
- Intermediate shelf in stainless steel with riveted corners and trasversal reinforcement in stainless steel.
- Sturdy sound-deadened sliding doors on tracks located flush to the front of the frame.
- Easy access to the cupboard interior on all lengths guaranteed by the use of only 2 doors.
- Constructed entirely in stainless steel to offer maximum durability.
- Constructed entirely in stainless steel to offer maximum durability.
- Base panel has 40mm high profile, is 8/10 in thickness with upturned edges and bar reinforcement. It is welded to legs for further structure reinforcement.
- 304 AISI stainless steel feet, 150 mm high and 54 mm in diameter, adjustable by -35/+25 mm.

### Optional Accessories

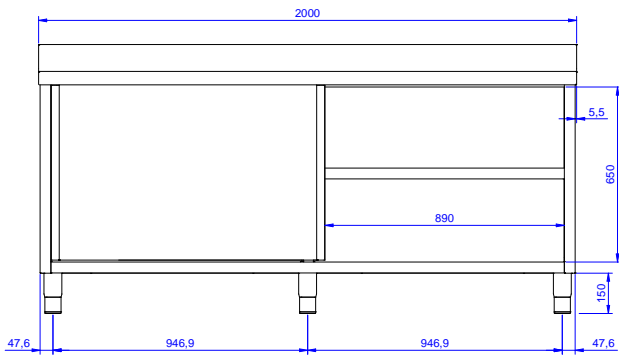
- Wheel kit for cupboards, 4 wheels (2 with brakes), D=1000 mm  PNC 855299

**APPROVAL:** \_\_\_\_\_

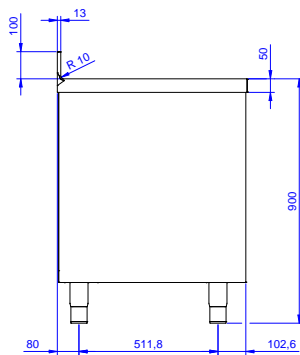
### Key Information:

<b>Cabinet width:</b>		
<b>132867 (MS2017N)</b>	1945 mm	
<b>Cabinet depth:</b>	645 mm	
<b>Cabinet height:</b>	610 mm	
<b>External dimensions, Width:</b>	2000 mm	
<b>External dimensions, Depth:</b>	700 mm	
<b>External dimensions, Height:</b>	1000 mm	
<b>Upstand Dimensions, Height:</b>	100 mm	
<b>Upstand Dimensions, Depth:</b>	13 mm	
<b>Upstand Dimensions, Radius:</b>	R=10	
<b>Worktop thickness:</b>	50 mm	
<b>Net weight:</b>	75 kg	

Front



Side



Top

